



# YAMAHA

## LICENSED PRODUCT

Yamaha, the Crossed Tuning Fork Design, and any likeness thereof are trademarks of Yamaha Motor Corp. U.S.A. and Yamaha Motor Co., Ltd. ("Yamaha") used under license by Sport Dimension Inc. [www.yamaha-motor.com](http://www.yamaha-motor.com).

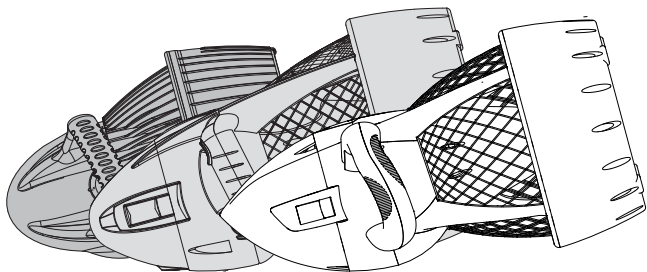
This Product is not manufactured by Yamaha. For consumer purposes, please contact Sport Dimension Inc. at 1-800-678-7873.



# YAMAHA<sup>®</sup>

## LICENSED PRODUCT

**SCOUT | SEAL | EXPLORER**



## User Manual

English Version

BC

### CAUTION

#### ELECTRICALLY OPERATED PRODUCT

Not recommended for children under 8 years of age. As with all electrical products, precautions should be observed during handling to reduce the risk of electric shock.

## (For USA Regulation Only)

This device complies with Part 15 of the FCC Rules. Operation is subject to the following two conditions :

- (1) This device may not cause harmful interference, and
- (2) This device must accept any interference received, including interference that may cause undesired operation.

Warning : Changes or modifications to this unit not expressly approved by the party responsible for compliance could void the user's authority to operate the equipment.

NOTE : This equipment has been tested and found to comply with the limits for a Class B digital device, pursuant to Part 15 of the FCC Rules. These limits are designed to provide reasonable protection against harmful interference in a residential installation. This equipment generates, uses and can radiate radio frequency energy, if not installed and used in accordance with the instructions, may cause harmful interference to radio communications.

However, there is no guarantee that interference will not occur in a particular installation. If this equipment does cause harmful interference to radio or television reception, which can be determined by turning the equipment off and on, the user is encouraged to try to correct the interference by one or more of the following measures:

- Reorient or relocate the receiving antenna.
- Increase the separation between the equipment and receiver.
- Connect the equipment into an outlet on a circuit different from that to which the receiver is connected.
- Consult the dealer or an experienced radio/TV technician for help.

Introduction	1
Parts diagram	3
Warnings	6
Fit the rubber seal before first use! (for Seascooter Seal and Explorer only)	9
Getting started	13
Battery use	15
Charging the battery	19
Care & maintenance	25
Trouble shooting	27
Camera assembly	35
Technical specifications	36



Discarded electrical appliances are recyclable and should not be discarded in the domestic waste! Please actively support us in conserving resources and protecting the environment by returning this appliance to the collection centers (if available).



## Introduction

The Seascooter™ Scout gives kids a totally new experience - power performance for fun and excitement in the pool.

The Seascooter™ Seal & Explorer adds a new dimension of fun and excitement to swimming and snorkeling.

**Only use The SEASCOOTER™ Seal, Explorer & Scout in a pool or in calm water and close to shore – DO NOT use in the open sea.**

**Use appropriate equipment such as wetsuit, approved life jacket, mask & snorkel etc. when using seascooter.**

**Only operate the Seascooter in water.**

### **-Scout-**

- Speed up to Up to 1 mph (1.6 km/h)
- Run up to 1 hour with normal use
- Rated to 10ft/3m
- Weight just 7.5 lbs (3.4 kg) including battery

### **-Seal-**

- Speed up to Up to 2 mph (3.2 km/h)
- Run up to 1.5 hours with normal use
- Rated to 15ft/5m
- Weight just 12 lb (5.4 kg) including battery

### **-Explorer-**

- Speed up to Up to 2.5 mph (4.0 km/h)
- Run up to 1 hours with normal use
- Rated to 30ft/10m
- Weight just 11.5 lb (5.2 kg) including battery

The Seascooter™ Scout, Seal & Explorer feature various safety features making it safe for kids ages 8 and up. These are positive buoyancy, protective grilles, auto shut off when

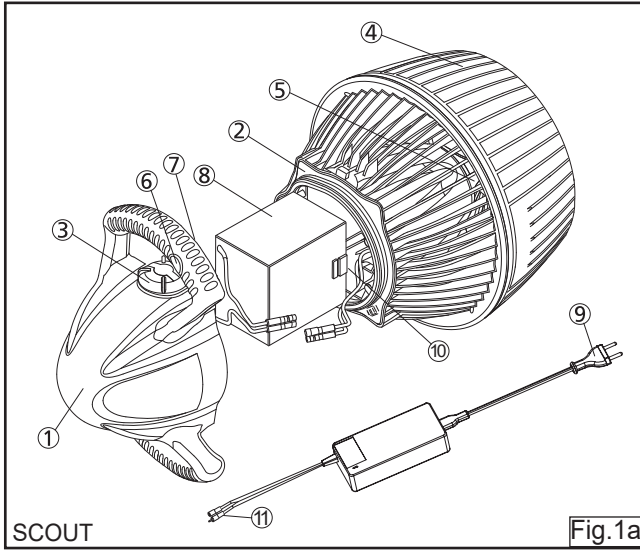
triggers are released and safety lock.

Please study this manual to get the most out of your Seascooter™ Scout / Seal / Explorer.

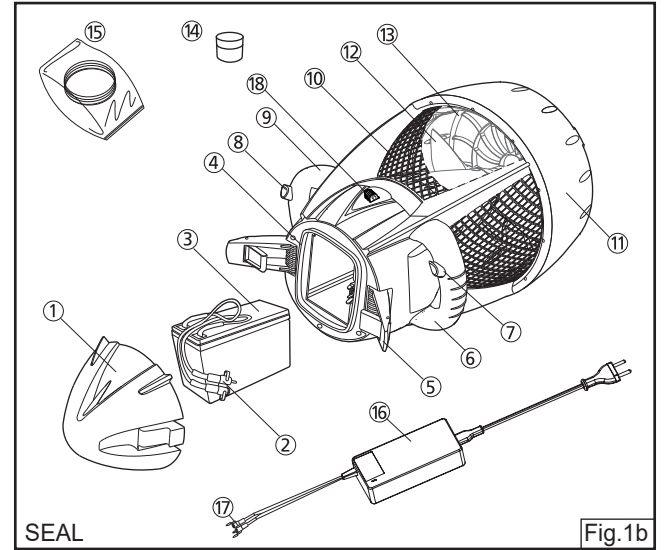


The Seascooter is designed for use in seawater. It will have less buoyancy in fresh water, lake or pool and may sink in such waters.

# Parts Diagram



- |   |                      |   |              |
|---|----------------------|---|--------------|
| ① | Nose Cone            | ⑨ | Charger      |
| ② | Nose Cone Seal       | ⑩ | Battery Clip |
| ③ | Latch                | ⑪ | Charger Jack |
| ④ | Nozzle               |   |              |
| ⑤ | Propeller            |   |              |
| ⑥ | On/Off Trigger       |   |              |
| ⑦ | Master Switch        |   |              |
| ⑧ | Rechargeable Battery |   |              |



- |   |                             |   |                 |
|---|-----------------------------|---|-----------------|
| ① | Nose Cone                   | ⑩ | Front Grille    |
| ② | Battery leads and Connector | ⑪ | Nozzle          |
| ③ | Battery                     | ⑫ | Propeller       |
| ④ | Seal                        | ⑬ | Rear Grille     |
| ⑤ | Latch                       | ⑭ | Silicone Grease |
| ⑥ | Handle                      | ⑮ | O-ring Seals    |
| ⑦ | Trigger                     | ⑯ | Charger         |
| ⑧ | Master Switch               | ⑰ | Charger Jack    |
| ⑨ | Safety Switch               | ⑱ | Camera Mount    |

 **Warning**

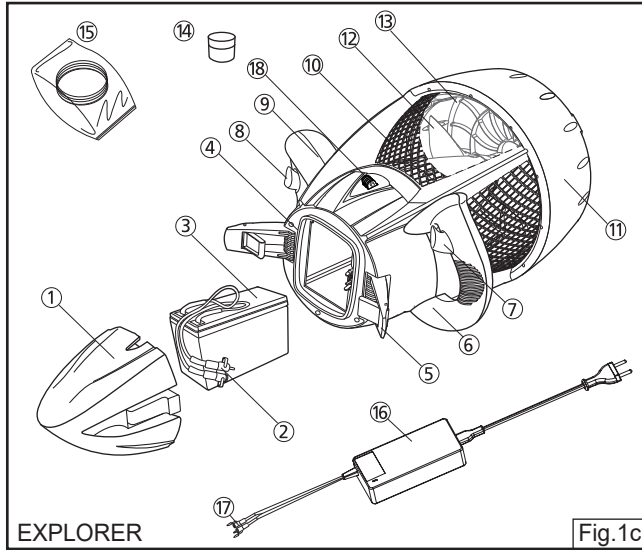


Fig.1c

- |                               |                   |
|-------------------------------|-------------------|
| ① Nose Cone                   | ⑩ Front Grille    |
| ② Battery leads and Connector | ⑪ Nozzle          |
| ③ Battery                     | ⑫ Propeller       |
| ④ Seal                        | ⑬ Rear Grille     |
| ⑤ Latch                       | ⑭ Silicone Grease |
| ⑥ Handle                      | ⑮ O-ring Seals    |
| ⑦ ⑧ Trigger                   | ⑯ Charger         |
| ⑨ Safety Switch               | ⑰ Charger Jack    |
|                               | ⑱ Camera Mount    |



- This is not a life saving device. DO NOT use it as a buoyancy aid.



- Be careful when you are transporting the Seascooter and setting it down to avoid crushing hazard on hands, foot or toes.



- Crushing / Cutting Hazard



- Read the user's manual carefully before use.



- Not to be used by children under the age of eight (8) and must ONLY be used by children under adult supervision.
- The seascooter is designed for 1 person use.



- ALWAYS wear a life vest (personal floatation device - PFD) approved by your local authorities: (U.S. Coast Guard Type III vest in the US or Canadian Coast Guard approved life vest in Canada or SAI Approval PFD in Australia or CE / ISO Approved PFD in Europe).



- Always inspect the swimming area to ensure it is free of hazards or obstacles such as boats and swimmers before using the SEASCOOTER™.



- Particular care should be exercised when using the SEASCOOTER™ near anybody with long hair. Users with long hair should tie it up or wear a swimming cap when using the SEASCOOTER™.



- Never stick body parts, clothing or other objects in the vicinity of the Propeller. Do not wear loose or flowing clothing or equipment that could be drawn into the propeller.



- Only to be used in water in which the child is within its depth and under supervision.



- Be aware of appropriate water levels, tidal changes, dangerous currents, weather change and strong offshore winds. ALWAYS scout unfamiliar water before venturing out.



- ALWAYS ensure sufficient charges remains in the battery to return to the poolside, shore or surface before using the Seascooter™.



- Do not use alcohol or drugs prior to and during use of this product.



- Do not attach your body, clothing, other equipment to the seascooter in any way.

• **An adult must be responsible for battery safety at all times, during use, storage and charging.**

• **Use in a pool or in calm water and close to shore – DO NOT use in the open sea.**

• Always charge battery to its maximum before using the SEASCOOTER™. After charging is complete the battery will continue to emit gas. Wait at least 30 minutes after charging before removing the battery from the charger or placing the battery into the battery housing. Failure to do so could result in an explosion.

• ALWAYS remove the battery from the unit when not in use.

• ALWAYS keep the SEASCOOTER™ out of direct sunlight when not in use. HEAT KILLS BATTERIES AND IT MAY EXPLODE OR LEAK.

• DO NOT store the battery in the unit.

### **CAUTION:**

• In different waters (seawater, lake, pool) and conditions such as currents, temperature and pressure can affect the buoyancy of the unit which may cause the unit to sink if accidentally released.

• DO NOT release or leave the Seascooter in the water. Always take the unit out of water when not in use.

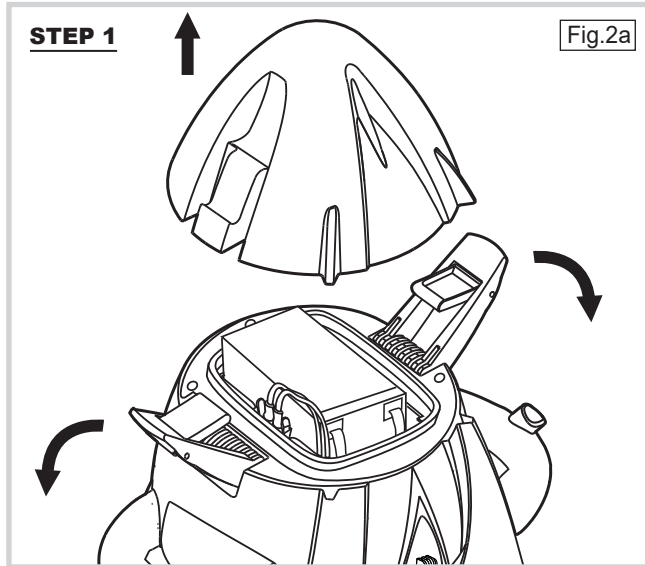
# FIT RUBBER SEAL BEFORE FIRST USE THE SEAL AND EXPLORER!

## ⚠️ CRUSHING HAZARD:

The following action during assembly, disassembly, and transportation of the seascooter may incur crushing hazards to your fingers or toes:

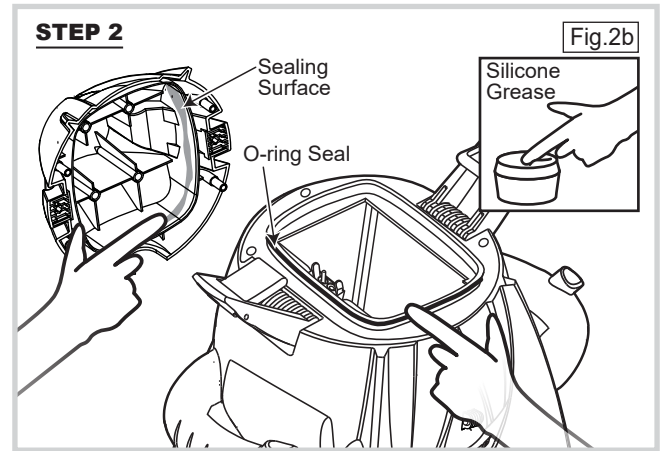
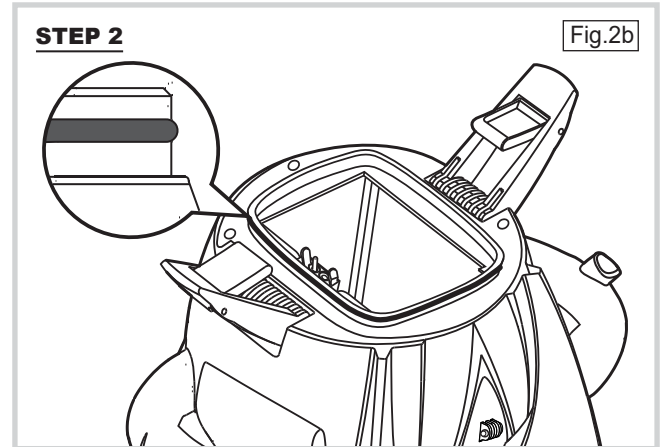
- Closing the nose cone latches
- Putting on the nose cone housing
- Placing the battery into the seascooter
- Accidental dropping of the seascooter or battery.

## SEAL



1. Unlock two latches and remove Nose Cone.

9



2. Rubber seal must be fitted as shown and fully lubricated with the supplied grease EVERYTIME before replacing the nose cone.

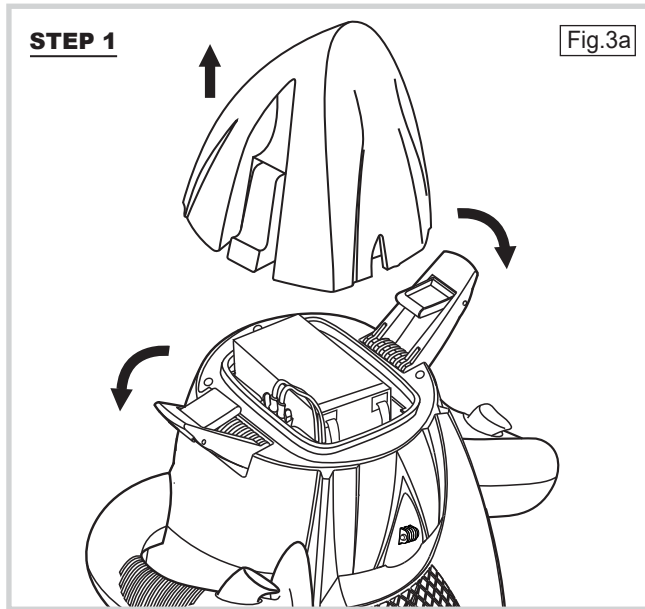
10

**⚠ CRUSHING HAZARD:**

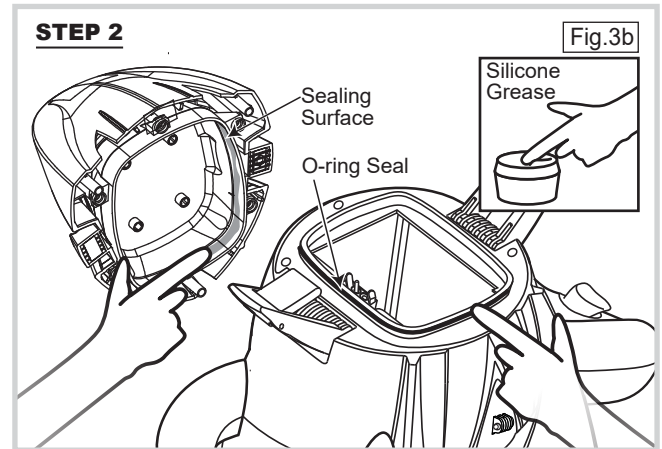
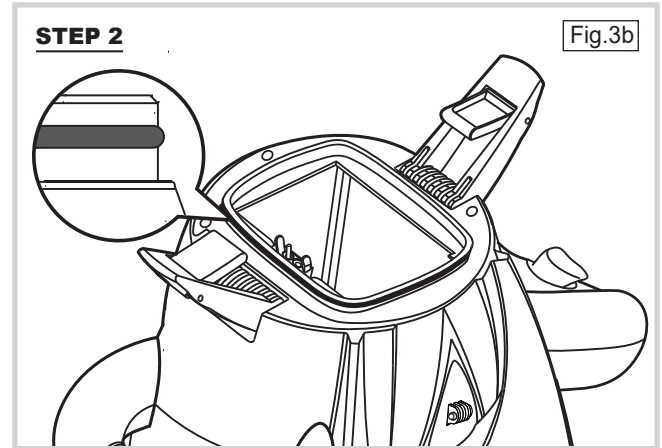
The following action during assembly, disassembly, and transportation of the seascooter may incur crushing hazards to your fingers or toes:

- Closing the nose cone latches
- Putting on the nose cone housing
- Placing the battery into the seascooter
- Accidental dropping of the seascooter or battery.

**Explorer**



1. Unlock two latches and remove Nose Cone.



2. Rubber seal must be fitted as shown and fully lubricated with the supplied grease EVERYTIME before replacing the nose cone.



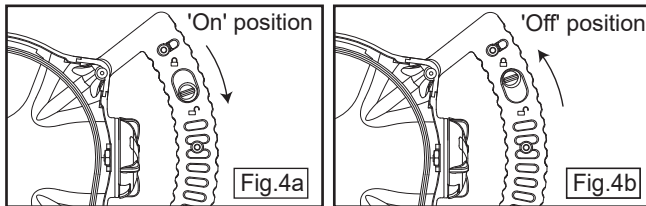
# Getting Started

## USING THE SEASCOOTER™ SCOUT

When you buy the SEASCOOTER™ SCOUT the battery is disconnected and needs to be charged.

Follow the safety cautions on page 15 to 18 and charging instructions on pages 19 to 21.

1. Charge the battery and install just before use.
2. Make sure your child is wearing an approved flotation device when using the SCOUT .
3. Place the SCOUT into the water. The SCOUT should float.
4. When ready to set off, switch the Master Switch to the 'On' position. (see fig. 4a)
5. Pull and hold the trigger to start the propeller. (There is a short delay before the Propeller begins to rotate).
6. To stop the propeller, simply release the trigger.
7. Always set Master Switch to the 'Off' position when out of the water. (see fig. 4b)



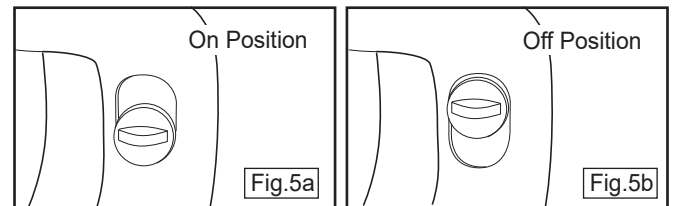
**Important Notice:** This machine is not used to mix or to work with sand, concrete and material with similar physical characteristics. This machine is only to use for swimming and diving in water.

## Using the SEASCOOTER™ SEAL / EXPLORER

When you buy the SEASCOOTER™ SEAL / EXPLORER the battery is disconnected and needs to be charged.

Follow the safety cautions on pages 15 to 18 and charging instructions on pages 22 to 24.

1. **FIT RUBBER SEAL BEFORE FIRST USE!** Follow the instructions on page 9 to page 12.
2. Charge the battery and install just before use.
3. Place the SEASCOOTER™ SEAL / EXPLORER into the water.
4. When ready to set off, switch the Safety Lock to the On position shown in fig. 5a.
5. Pull and hold both Triggers to start the Propeller. (There is a short delay before the Propeller begins to rotate).
6. To stop the Propeller, simply release one or both triggers.
7. Always set the Safety Lock to the Off position when out of the water - see fig. 5b.
8. ALWAYS remove the battery when not in use.

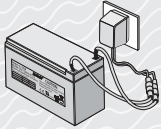


**Important Notice:** This machine is not used to mix or to work with sand, concrete and material with similar physical characteristics. This machine is only to use for swimming and diving in water.

## Battery Use



### **WARNING** BATTERY SAFETY



RE-CHARGE THE BATTERY  
AT LEAST **EVERY**  
**3 MONTHS**

- Must remove and store the battery separately from the unit when not in use!
- Must re-charge the battery after use **WITHIN 24 HOURS**.
- Must re-charge the battery at least **EVERY THREE MONTHS** when not in use.

**User Manual must be read and understood before use.**

Please read and follow the **Battery Safety Instruction**.

*Incorrect battery maintenance may reduce the battery life and influence its function.*



### **CAUTION** BATTERY SAFETY

- **Our lead-acid battery is designed specifically for each Seascooter. For your own safety, NEVER REPLACE THE ORIGINAL SEASCOOTER BATTERY WITH AN AFTERMARKET BATTERY.**
- Only Seascooter with original battery will be warranted by our service center.
- Always contact official dealer/service center to service the Seascooter. Any changes made by consumer/unauthorized parties will void the warranty of the Seascooter.
- Visit our website to purchase replacement battery for Seascooter.
- Visit our website to find an original equipment battery distributor in your region.

[www.seascooter.net](http://www.seascooter.net)

## Battery Use

### CAUTION

- Your SEASCOOTER™ is supplied with a battery that needs to be treated carefully as it will release potentially explosive gases during its normal cycle of use (off-gassing). Failure to do so can result in an explosion occurring. Please read the entire manual thoroughly and follow all instructions.
- Always remove the battery from your SEASCOOTER™ when it is not in use and store separately in a well ventilated area where it is out of the reach of children and away from heat and ignition sources.
- Do not attach the battery in your SEASCOOTER™ until prior to using it.
- Before disconnecting/connecting any cables, open the nose cone and allow two minutes for any explosive gases to dissipate.
- Do not use/store/charge the battery in temperatures above 40°C (104°F) as excessive off-gassing may occur. Keep the battery and SEASCOOTER™ in the shade when not in use.
- Always ensure the unit is dried thoroughly before opening the Nose Cone.
- Only use the charger supplied with the SEASCOOTER™.
- Charge the battery as soon as possible after use within 24 hours.

## Battery Use

### CAUTION

- Always charge the battery to the maximum before using the SEASCOOTER™.
- The battery supplied with your SEASCOOTER™ releases a potentially explosive gas during charging. Charging should only take place in a well ventilated area, away from children and open flames or other ignition sources (cigarettes, sparks). Never charge the battery while still in the SEASCOOTER™.
- Always remove the battery from the battery housing before charging.
- Always connect charger jack to the battery first and then plug charger into the electrical socket/plug.
- After charging, disconnect from the electrical socket/plug first and then disconnect the battery from the charger.
- After charging is complete the battery will continue to emit gas. Wait at least 30 minutes after charging before removing the battery from the charger or placing the battery into the battery housing. Failure to do so could result in an explosion.
- Remove battery from charger once fully charged.
- Never charge the battery in sealed container.
- Never charge the battery near water.
- Never short circuit the battery or battery connectors.
- Always ensure the charger is dry before use.

## Battery Use

### CAUTION

- The charger gets quite warm in use - this is normal.
- If in doubt of the state of the battery, recharge it until the indicator on the battery charger indicates a full charge.
- If the battery is not to be used for an extended period, store it in a well ventilated area away from children, heat and ignition sources. Recharge it every three months to maintain charge and avoid excess off gassing. DO NOT store the battery inside the SEASCOOTER™.
- If the battery appears damaged or will not fully charge, the battery must be replaced. If battery life is noticeably reduced, the battery should be replaced.
- Do not recharge non-rechargeable battery. This charger only charges the Sealed rechargeable lead-acid battery, one battery per each charge.
- This appliance is not intended for use by persons (including children) with reduced physical, sensory or mental capabilities, or lack of experience and knowledge, unless they have been given supervision or instruction concerning use of the appliance by a person responsible for their safety. Children should be supervised to ensure that they do not play with the appliance.
- During charging, batteries must be placed in a well ventilated area.
- The battery supplied with your SEASCOOTER™ should last about 200 cycles or two years before it should be replaced. Please contact your local customer service center/distributors. Using a battery in excess of these recommendations can result in excessive off-gassing of explosive gases.

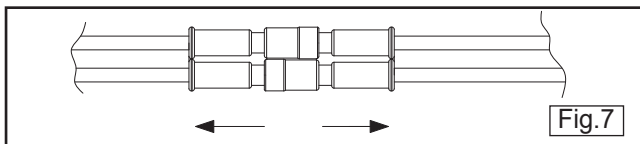
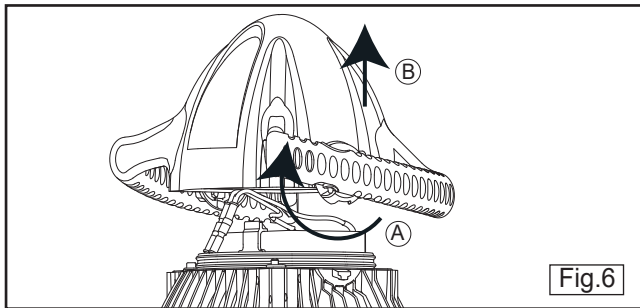
## Charging the battery for SCOUT

### **Warning!**

Replace the battery immediately if it is damaged.

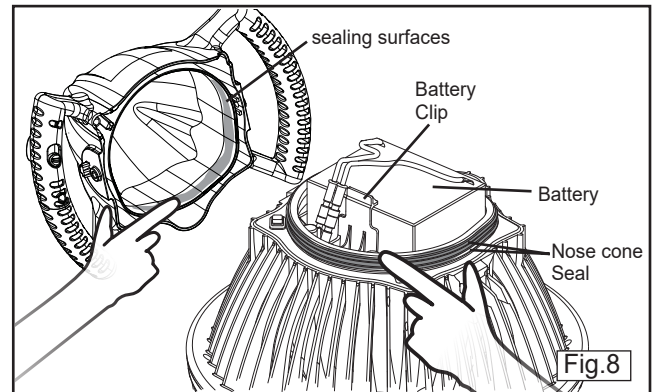
For battery charging follow these instructions.

1. Always ensure that the Master Switch is in the 'Off' position. (see fig. 4b)
2. Always ensure that the SCOUT is out of the water, dry and placed in a dry area.
3. Unclip the latches and remove the Nose Cone. (see fig. 6)
4. Allow two minutes for any gasses to dissipate.
5. Disconnect the battery cable from the housing cable (if not already disconnected - the cable will be disconnected when you buy your SCOUT ) (see fig. 7)



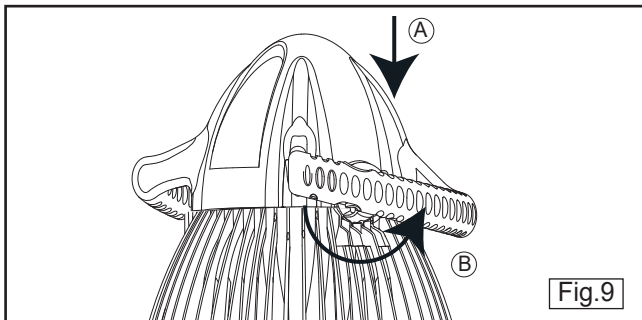
19

6. Remove the battery from the SCOUT and place on a level surface.
7. Connect the battery cable to the charger cable.
8. Plug charger into electrical socket / plug, and turn on the supply.
9. Charging will take 10-12 hours for a fully discharged battery. When the battery is charging the red LED is on, when the battery is charged the green LED turns on.
10. Unplug the charger from the mains.
11. Allow battery to stand for 30 minutes before using it.
12. Unplug the battery cable from the charger cable.
13. When ready for use, install battery and reconnect to the housing cable.
14. Make sure the Nose Cone seal and sealing surfaces (see fig. 8) are clean and fully lubricated with silicone grease EVERYTIME (you can buy this at your local hardware store) before replacing the Nose Cone.



20

15. Replace the Nose Cone and turn and lock the latches - you will hear a click when they are locked. (see fig.9)



The SCOUT is now ready to be used.

### Replacing a flat battery with a fully charged battery.

1. Follow the steps 1 to 5 above
2. Remove the flat battery.
3. Install the charged battery.
4. Follow steps 13 and 15.

### Buying Rechargeable Batteries

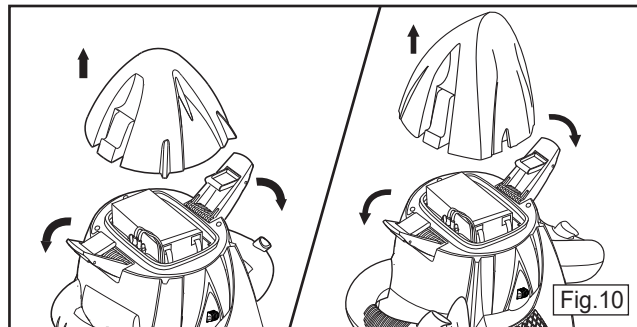
It is a good idea to have a second battery so that when one has run out you can swap it over with a charged one. Contact your local customer service center/distributor to purchase additional rechargeable batteries.

### **Warning!**

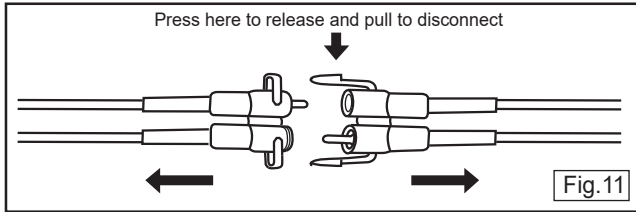
Replace the battery immediately if it is damaged.

For battery charging follow these instructions.

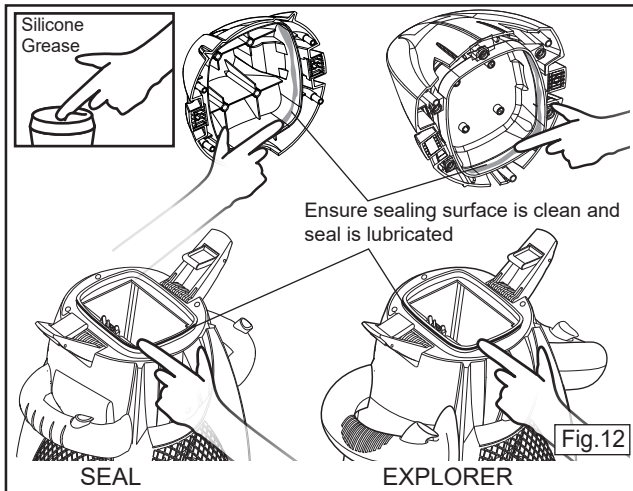
1. Always ensure that the Safety Lock in the Off position is Off - see fig. 5b.
2. Always ensure that the SEASCOOTER™ SEAL / EXPLORER is out of the water, dry and placed in a dry area.



3. Pull the latches down and remove the Nose Cone as shown in fig. 10.
4. Allow two minutes for any gasses to dissipate.
5. Disconnect the battery cable from the housing cable (if not already disconnected - the cable will be disconnected when you buy your SEASCOOTER™) by pressing the locking feature, as shown in fig. 11.
6. Remove battery and place on a level surface.
7. Connect the battery cable to the charger cable.
8. Plug charger into mains, and turn on the supply.



9. Charging will take 14-16 hours for a fully discharged battery. When the battery is charging the red LED is lit, when the battery is charged the green LED is lit.
10. Disconnect the Charger from the mains.
11. Unplug the battery cable from the charger cable.
12. Allow battery to stand for 30 minutes before using it.
13. When ready for use, place the battery into the housing and connect the housing cable.

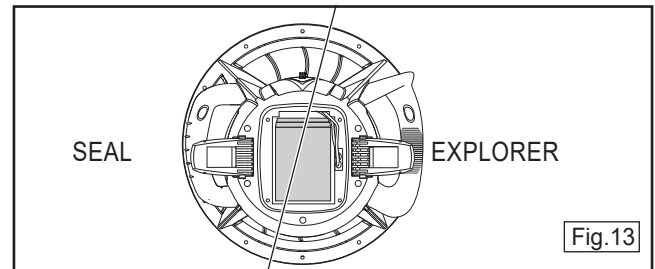


14. Make sure the seal and sealing surfaces are clean and fully lubricated with the supplied grease EVERYTIME (you can also buy this at your local hardware store) before replacing the Nose Cone. See fig. 12.
15. Replace the Nose Cone and close the latches.

**To replace a flat battery with a fully charged battery.**

1. Follow the steps 1 to 3 on page 22, to open the SEASCOOTER™.
2. Allow two minutes for gases to dissipate.
3. Unplug the battery at the socket by pressing the locking feature shown in fig. 11.
4. Remove the flat battery.
5. When ready for use, install and connect battery in the correct position, see fig. 13.

**DO NOT STORE BATTERY IN SEASCOOTER.**



6. Follow steps 14 to 15 on page 22, to close the SEASCOOTER™.

**Buying batteries**

Additional batteries can be purchased separately. Contact your local customer service center/distributor to purchase them.

# CONSUMER WARRANTY & SERVICE INFORMATION

Distributors in the United States and Canada provide a Standard Limited Warranty for 6 months from the date of purchase for new products. If you're not located in the United States or Canada, please contact your Local Distributor for warranty arrangements in your territory. Please visit [www.seascooter.net](http://www.seascooter.net) for Distributor / Service Center details. Distributors ONLY warrant Yamaha Seascooter products purchased from an authorized dealer and with an original purchase receipt. All warranties are limited to a single original owner on the purchase of new and current product from an authorized reseller. Closeouts, Discontinued and Secondary sales of any kind including "like new" or out of box are not eligible for warranty consideration.

This warranty gives the consumer specific legal rights, and those rights may vary from place to place. Ask your Local Distributor for the warranty period in your region by calling their Service Center. Any part of the product supplied by the Distributor and found in the reasonable judgment of the Distributor to be defective in material or workmanship will be repaired or replaced then returned by the Distributor without charging for parts and repair costs. The product including any defective part must be sent to the Distributor within the warranty period. The customer will pay for the expense of delivering the product to the Distributor.

This warranty does not cover any product that has been subject to misuse negligence or accident, or that has been operated in any way contrary to the operating instructions as specified in the User Manual. Any flood, loss or damage, for any reason, that is caused by accidental release and sinking of the unit, or from flooding an o-ring sealed or water tight area will not be covered under warranty. This warranty does not apply to theft, loss, abuse or tampering, lack of maintenance, improper storage, exposure to excessive temperature, extended sunlight, material interactions, deteriorating chemicals or fumes, any damage to the product that is the result of improper maintenance or parts replacement performed by someone other than the official Distributor Service Center or to any product that has been altered or modified so as to change its intended use. This warranty does not extend to repairs made necessary by normal wear or by the use of parts or accessories which are either incompatible with the product or adversely affects its operation, performance or durability.



SEE NEXT PAGE